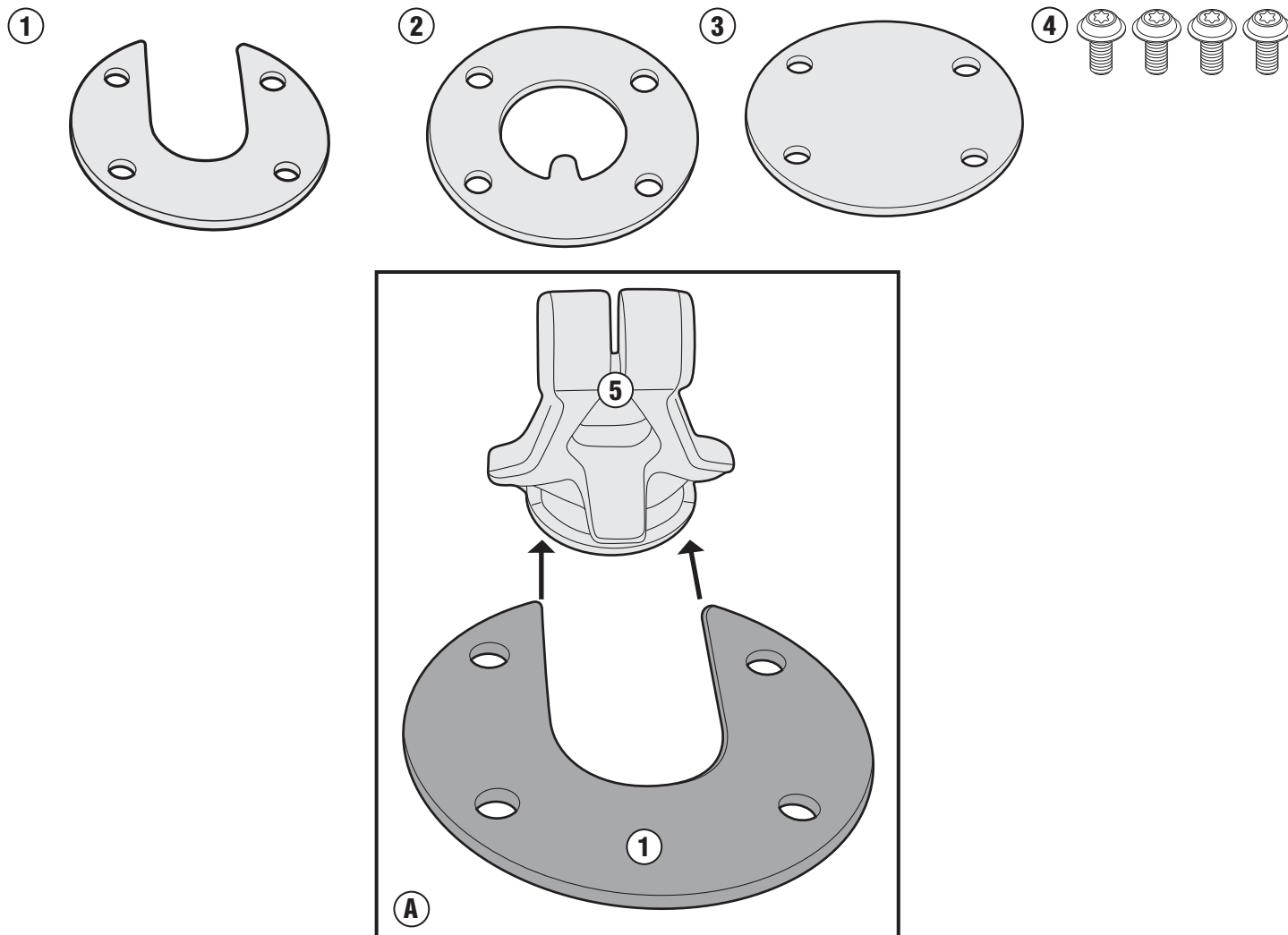


STTR40SM

SUPPORTO PER TOM TOM RIDER 40 E TOM TOM RIDER 400 - SUPPORT FOR THE GPS TOM TOM RIDER 40 OR TOM TOM RIDER 400 -
 SUPPORT POUR LE TOM TOM RIDER 40 ET LE TOM TOM RIDER 400 - HALTER FÜR DIE NAVIS TOM TOM RIDER 40 UND TOM TOM RIDER 400 -
 SOPORTE PARA EL NAVEGADOR TOM TOM RIDER 40 Y TOM TOM RIDER 400

N°	Descrizione	Caratteristiche	Codice	Quantità
1	Supporto - Support - Support Halterung - Soporte - Apoio	ALLUMINIO	GL2903	1
2	Supporto - Support - Support Halterung - Soporte - Apoio	ALLUMINIO	GL2904	1
3	Supporto - Support - Support Halterung - Soporte - Apoio	ALLUMINIO	GL2905	1
4	Vite - Screw Vis - Schraube Tornillo - Parafuso	TORX	VITI TORX FLANG. 5X12	4
5	Particolari Inclusi Nell'S901A Components Included In The S901A Pièces Incluses Dans El S901A Bestandteile im enthalten S901A Despieces Incluidos En El S901A Explodiu incluido da S901A	-	-	-
6	Particolari Inclusi Nell'TomTom Rider 40/400 Components Included In The TomTom Rider 40/400 Pièces Incluses Dans El TomTom Rider 40/400 Bestandteile im enthalten TomTom Rider 40/400 Despieces Incluidos En El TomTom Rider 40/400 Explodiu incluido da TomTom Rider 40/400	-	-	-



ISTRUZIONI DI MONTAGGIO - MOUNTING INSTRUCTIONS
 INSTRUCTIONS DE MONTAGE - BAUANLEITUNG
 INSTRUCCIONES DE MONTAJE - INSTRUÇÕES DE MONTAGEM

STTR40SM

SUPPORTO PER TOM TOM RIDER 40 E TOM TOM RIDER 400 - SUPPORT FOR THE GPS TOM TOM RIDER 40 OR TOM TOM RIDER 400 -
SUPPORT POUR LE TOM TOM RIDER 40 ET LE TOM TOM RIDER 400 - HALTER FÜR DIE NAVIS TOM TOM RIDER 40 UND TOM TOM RIDER 400 -
SOPORTE PARA EL NAVEGADOR TOM TOM RIDER 40 Y TOM TOM RIDER 400

